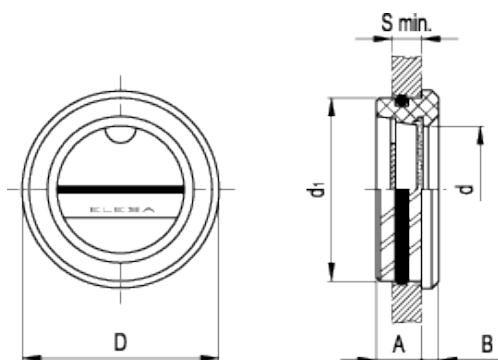


HRT.

Oil level indicators push-fit



ELESA Original design



technical informations

Material

Polyamide based (PA) technopolymer. Resistant to solvents, oils, greases and other chemical agents.

Colour

Black, matte finish.

Window

Transparent polyamide based (PA-T/AR) technopolymer. Resistant to alcohol, solvents, oils with additives, greases, acids and alkali.

Contrast screen

White lacquered aluminium with red level line.

Packing ring

NBR synthetic rubber O-Ring.

Maximum continuous working temperature

100°C.

Features and applications

The push-fit assembly is guaranteed by optimized ribbings. Sealing is guaranteed by the O-ring. HRT. oil level indicators push-fit are particularly suitable for assembly on reservoirs with limited pressure.

Assembly instructions

Chamfer hole 1x45° and grease slightly the outside surface of the O-ring to make assembly easier.

Note

For use with fluids containing special additives, please contact ELESa Sales Department.

Standard Elements		Main dimensions						Weight
Code	Description	d ₁	A	B	D	d	S _{min}	g
10751	HRT.15-26	26	9	4.5	28	14.5	6	6
10756	HRT.20-32	32	10.5	4.5	36	18	8	10
10761	HRT.25-38	38	11	5	42	23	8	12
10766	HRT.40-60	60	11	5.5	64	40	9	29



ELESa and GANTER models all rights reserved in accordance with the law. Always mention the source when reproducing our drawings.

STANDARD MACHINE ELEMENTS WORLDWIDE